

---

## 4MP Outdoor Camera Floodlight (ADC-V729/V729AC/VC729P) - Installation Guide

**Important:** This guide contains installation information for 3 different models of the ADC-V729 camera:

- ADC-V729
- ADC-V729AC
- ADC-VC729P

While these cameras are similar, some installation steps only pertain to one model. Make sure to select the accordions relevant to the model camera you are using. The camera model can be found on the box.

When installing the ADC-V729AC, make sure to verify if the local building code requires the ADC-V729AC to be installed by a certified electrician.

Any information that does not list a specific model number applies to all models of this camera.

What model are you interested in?

### Pre-installation checklist

#### When using the ADC-V729: ^

- ADC-V729 camera
- 24V DC 2A power supply
- [Doorbell Cameras Comparison Chart](#)

**Caution:** A 24V DC adapter is different than the standard 12V adapters used for other ADC cameras.

- Mounting hardware (included)
- Broadband (Cable, DSL, or Fiber Optic) internet connection with router

**Note:** If the router does not have the WPS button, you will need the case-sensitive SSID (wireless network name) and the network WPA or WEP key (if the encryption is enabled at the router).

- A Wi-fi enabled computer or mobile device

## When using the ADC-V729AC: ^

- ADC-V729AC camera
- Mounting hardware (included)
- Broadband (Cable, DSL, or Fiber Optic) internet connection with router
- Wi-Fi enabled computer or mobile device

**Note:** If the router does not have the WPS button, you will need the case-sensitive SSID (wireless network name) and the network WPA or WEP key (if the encryption is enabled at the router).

## When using the ADC-VC729P: ^

**Important:** The ADC-VC729P is not compatible with PoE or PoE + injectors/switches. The ADC-VC729P requires either a 24V DC adapter, or a PoE++ switch/injector.

These do not come included with the ADC-VC729P and will need to be purchased separately.

- - ADC-VC729P camera
  - A PoE ++ injector or switch or a 24V DC 2A power supply

**Caution:** A 24V DC adapter is different than the standard 12V adapters used for other ADC cameras.

- Broadband (Cable, DSL or Fiber Optic) Internet connection with router
- An Ethernet/Cat5 cable

## In the box



## In the unit

- 1 set (x2) of M4 7/16 screws to attach the floodlight base to the mounting bracket
- 1 set (x2) of weatherproof caps to seal the unit after install

## Screw bags

Multiple screw sizes are included to accommodate multiple junction box and screw hole sizes. Choose which set to use based on your particular install requirements. The following screws are included for mounting:

- (4) #8-32 X 7/8" – for attaching the mounting bracket to the wall/junction box
- (4) #8-32 X 1/2" – for attaching the mounting bracket to the wall/junction box
- (2) 6-32 X 1", - for attaching the adapter plate to the mounting bracket
- (2) 6-32 X 1/2 - for attaching the adapter plate to the mounting bracket

- (x3) 22-14 AWG wire nuts to connect wires (V729AC only)
- Set of wall anchors and screws (V729DC and VC729P only)
- Torx screw for microSD card door (VC729P only)
- Camera base to mounting bracket grounding wire and nut

## Overview

### Requirements

- Ensure the unit is properly grounded.
- The ADC-V729AC must be installed on a weatherproof junction box (not included in the box). We recommend installing the V729 and VC729P on a weatherproof electrical box, but they can be mounted directly onto a wall with the included wall anchors and screws.

#### \*Requirements for the ADC-V729AC only ^

**Caution:** There is a risk of electrical shock when installing the ADC-V729AC. Ensure the power is off at the circuit breaker before doing any work.

Ensure you follow local safety codes for installation. In certain locations, a professional electrician must perform the installation.

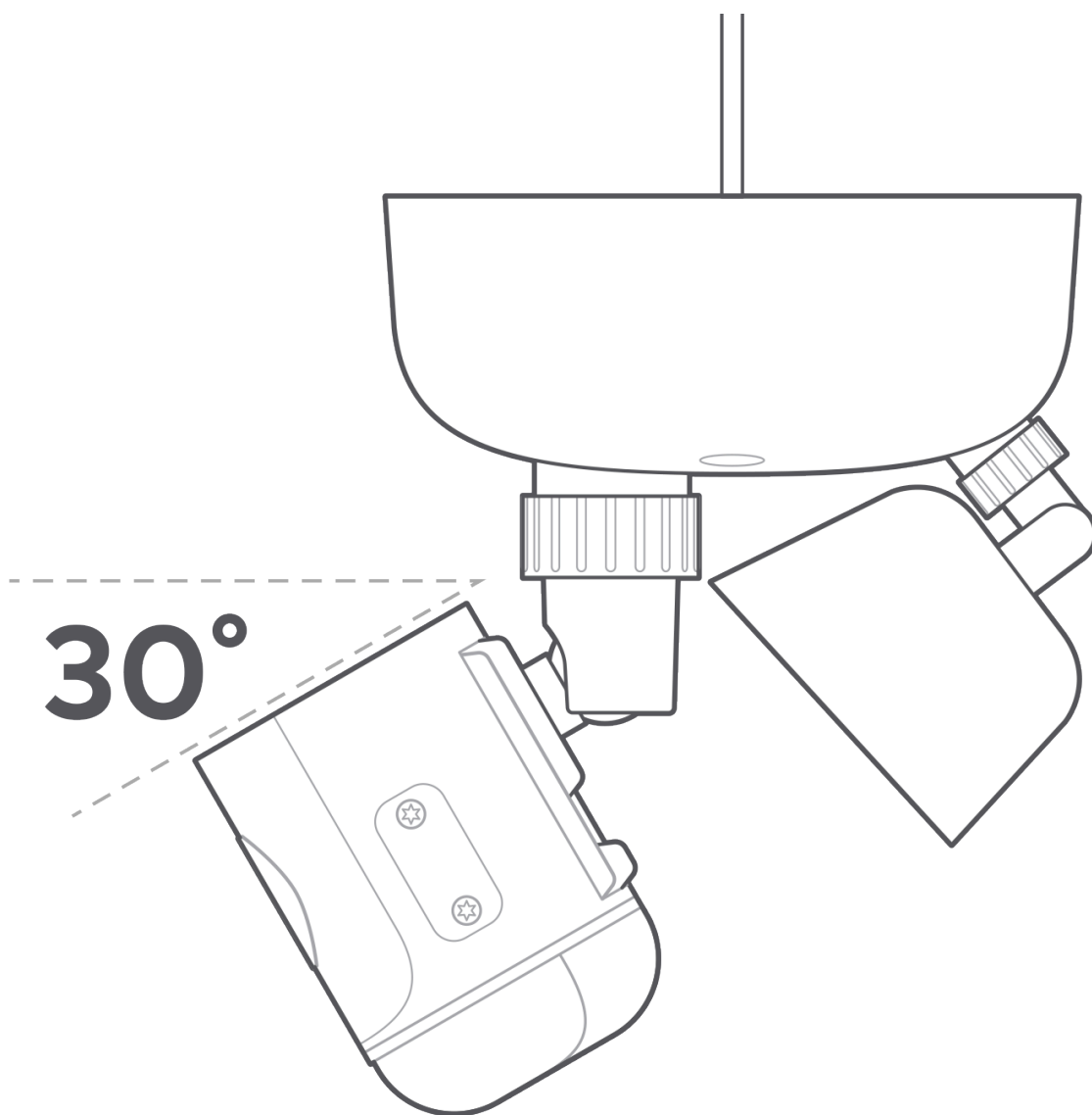
- The ADC-V729AC must be installed on a weatherproof junction box (not included in the box).
- Connect the fixture to a 100-240VAC 50/60 Hz power source. Wire connection should be using gauge range 14-18 AWG and rated to Min. temperature 80°C. Ensure you follow local safety codes.
- Ensure the unit is properly grounded.
- For best results, we recommend a junction box that meets these specifications (junction box not included):
  - A 4-inch round/square junction box (the base of the 729 is 5.9 inches)
  - Weatherproof
  - Outdoor rated
- Remove any existing light fixture and metal bracket on the junction box.

### Mount the ADCV729/V729AC/VC729P

**Caution:** There is a risk of electrical shock when installing the ADC-V729AC. Ensure the power is off at the circuit breaker before doing any work.

#### Mounting recommendations

**Note:** For optimal PIR motion detection performance, it is recommended to install the ADC-V729 at a height of eight feet with the camera pointed downwards at a 30° angle.



#### When to use the adapter plate: ^

If installing on a junction box where the only screw location is overlapping with mounting plate screws, use the adapter plate.

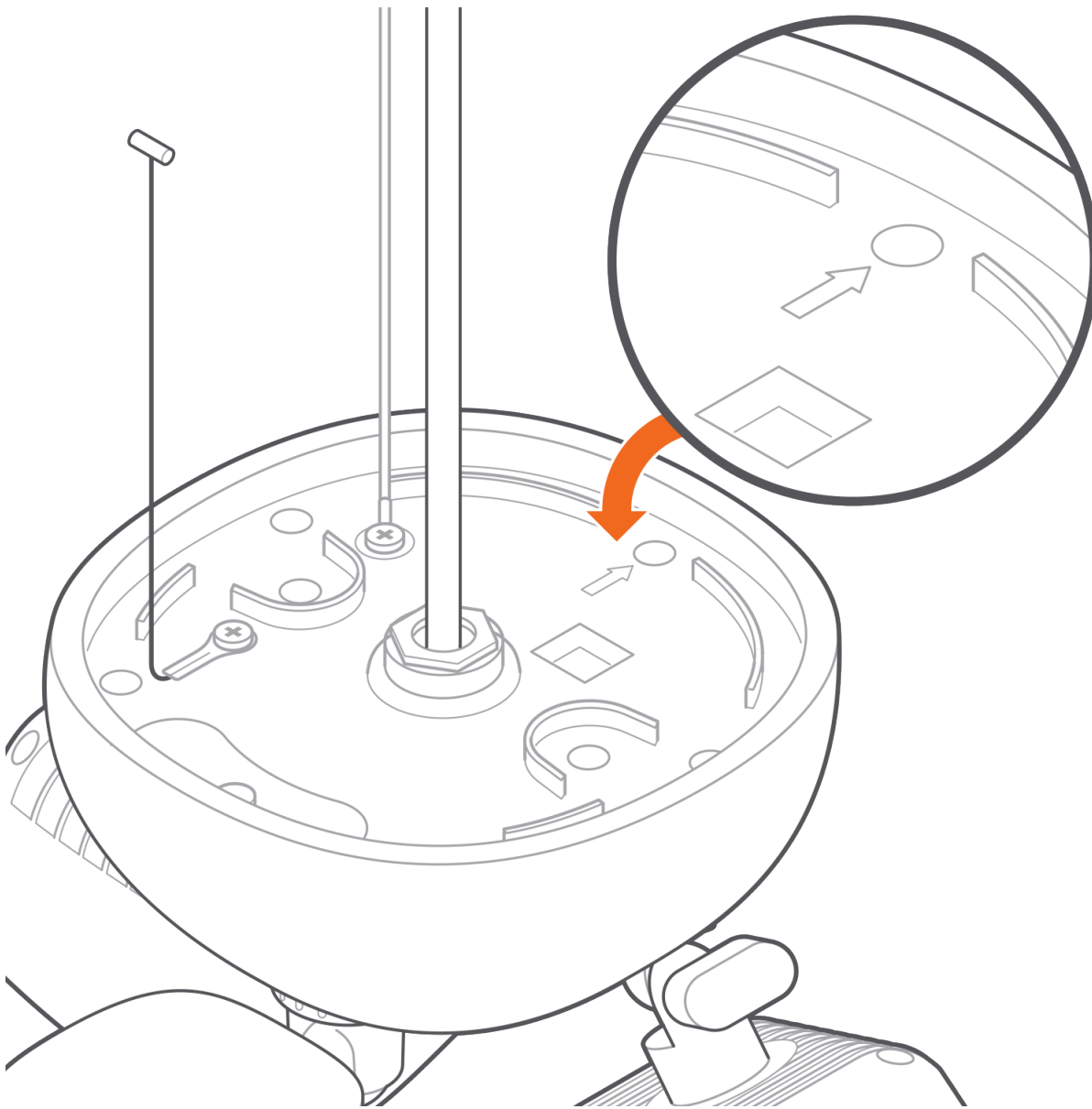
**Note:** This should be a rare situation. Use just the mounting bracket in all other cases.



#### To install on the ceiling: ^

With the ball joint exposed to the front, flip the camera and lights 180°. The adapter should be installed with the camera

in front of the floodlights with the arrow on the back pointing towards the wall.



**To install using the mounting bracket: ^**

**Note:** This is the most common installation type.

1. Screw the mounting bracket into the junction box using the appropriate set of screws. Ensure the mounting bracket is in the proper orientation.
  - If installing the camera on the wall, the hook should face the floor.
  - If installing the camera on an eave, the hook should face the wall.
2. Ensure the mounting bracket is secure to the wall.

### To install using the adapter plate: ^

1. Screw the metal bracket to the junction box using the appropriate set of screws via the long edge. Be sure to align it with the flat side facing the junction box.



2. Screw the mounting bracket to the adapter plate using the holes in the mounting bracket circle.



### To hang the camera and prepare for wiring: ^

1. Put the T hook wire into the hole on the bottom of the mounting bracket to allow the fixture to hang from the mounting bracket.
2. Ensure the fixture is secure before releasing it.
3. Pull the cables through the center hole to prepare for wiring.



## Wire, mount, and power the ADC-V729/V729AC/VC729P

**Caution:** For secure positioning, confirm that all knobs and collars are firmly tightened. The lights and camera should not be left loose and should not allow for any motion when the camera is mounted.



### To wire, mount, and power the ADC-V729: ^

#### To wire the ADC-V729:

1. Connect the camera to the power adapter.
2. Connect the camera base to the power adapter and run wires as desired.



**To mount the ADC-V729:**

1. Push the wires back into the Connection box.
2. Disconnect the hook and align it along the bottom of the ADC-V729, or place the wires in the junction box.
3. Align two holes on the back of the floodlight base with the metal poles.
4. Screw in the unit using the included black screws.
5. Insert the weatherproof caps.

**To power the ADC-V729:**

1. Connect the camera's power adapter and plug it into an outlet.
2. The camera's LED should light up red after a few seconds. Wait for the camera's LED to start blinking white before proceeding.

**To wire, mount, and power the ADC-V729AC: ^**

**Caution:** There is a risk of electrical shock when installing the ADC-V729AC. Ensure the power is off at the circuit breaker before doing any work.

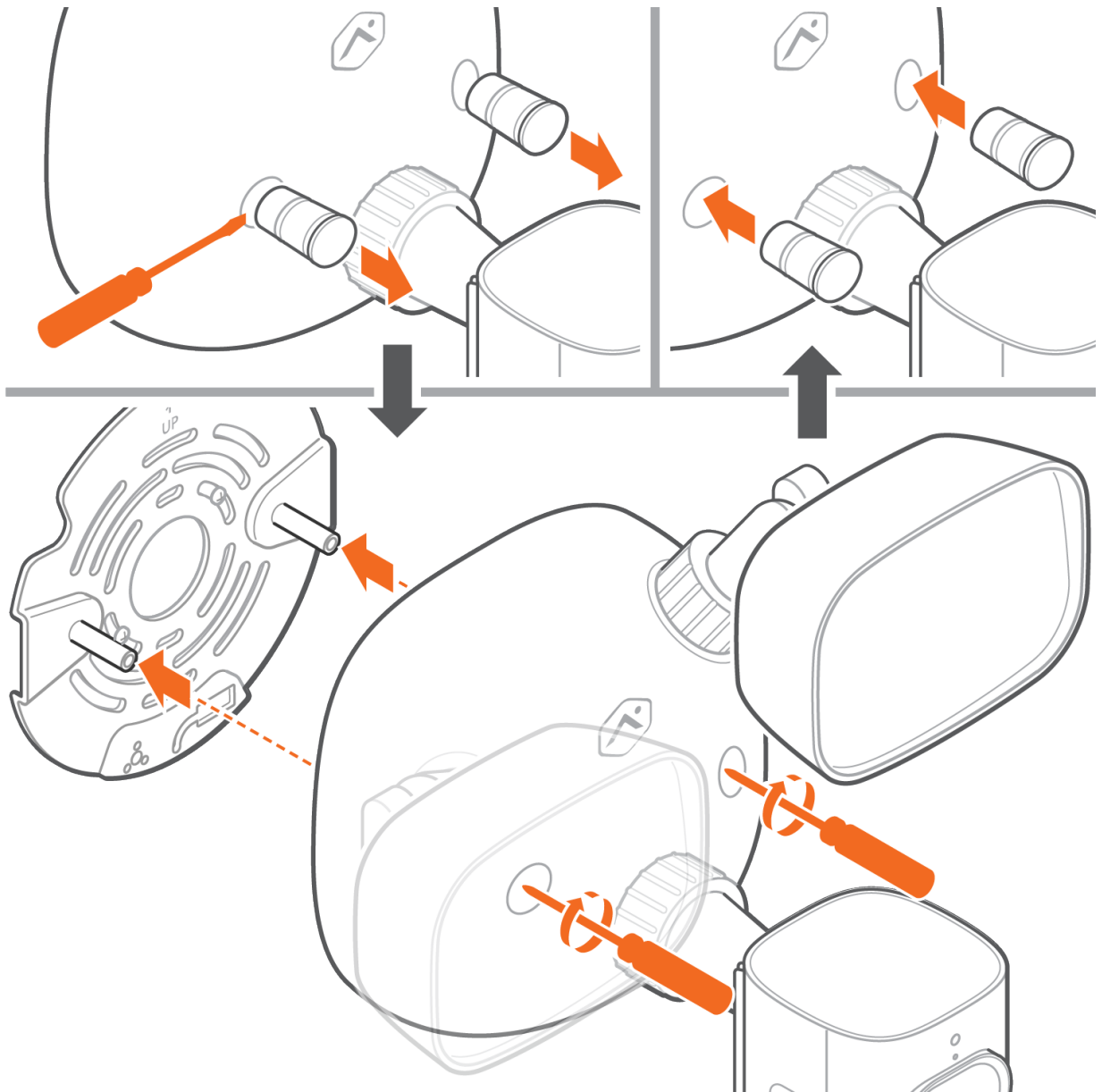
**To wire the ADC-V729AC:**

1. Connect the neutral green wire to connect to the corresponding ground wire. Use the included wire nut to secure the wires together.
2. Connect the white wire to the corresponding neutral white wire. Use the included wire nut to secure the wires together.
3. Connect the black wire (hot) to the corresponding black wire. Use the included wire nut to secure the wires together.
4. Gently pull on the wires to ensure they are secure.

**To mount the ADC-V729AC:**

1. Push the wires back into the junction box.
2. Disconnect the hook and align it along the bottom of the unit, or place the hook with the wires in the junction box.
3. Align the two holes on the back of the floodlight base with the metal poles.
  - a. For HWV 0104+ the mounting screws come captive in the unit. To install the unit on the mounting bracket for HWV 0104:
    - i. Remove the weatherproof caps.
    - ii. Align the two holes on the back of the floodlight base with the metal poles and push the unit into bracket.

- iii. Screw in the unit using the captive screws inside it.
- iv. Insert the weatherproof caps.



b. For HWV 0103 or earlier:

- i. Align the two holes on the back of the floodlight base with the metal poles.
  - ii. Screw in the unit using the included black screws.
  - iii. Insert the weatherproof caps.
- 4. Screw in the unit using the included black screws.
  - 5. Insert the weatherproof caps.





#### **To power the ADC-V729AC:**

1. Switch on the breaker.
2. The camera's LED should light up red after a few seconds. Wait for the camera's LED to start blinking white before proceeding.

#### **To wire, mount, and power the ADC-VC729P: ^**

##### **To wire the ADC-VC729P:**

1. Connect the camera to a properly terminated, unplugged Ethernet cable.
2. For Non-PoE connections, connect the 24V DC connector to an unplugged 24V DC adapter.
3. Insert the cables and ground wire into the RJ45 Ethernet interface clearance hole.



##### **To mount the ADC-VC729P:**

1. Push wires into the junction box.
2. Disconnect the hook and align it along the bottom of the unit, or place the hook with the wires in the junction box.
3. Align the two holes on the back of the floodlight base with the metal poles.
4. Screw in the unit using the included black screws.
5. Insert the weatherproof caps.



##### **To power the ADC-VC729P:**

1. Plug in the camera.
2. The camera's LED should light up red after a few seconds. Wait for the camera's LED to turn green.

### **Connect and enroll the ADC-V729/V729AC**

**Note:** The ADC-V729P is not compatible with Wi-Fi and must be connected via Ethernet.

Add the device to the customer account by selecting the account in the MobileTech app, then selecting the camera from

the video device list or entering its MAC address. For more information about enrolling Alarm.com cameras to a customer account, see [Enroll a camera or video device to a customer account](#).

### Using AP mode:

^

1. Once powered up, the camera's LED will begin to blink white. If the LED is not white after two minutes, press and hold the WPS/Reset button and release when the LED begins to blink white (about 6 seconds).
2. On an Internet-enabled device, connect to the Wi-Fi network ADC-V729 (XX:XX:XX) where XX:XX:XX is the last six characters of the ADC-V729's MAC address, which is located on the camera or on the packaging.
3. On the same device, open a web browser and enter 192.168.1.1 in the URL field. Follow the on-screen instructions to add the ADC-V729 to the Wi-Fi network. The LED will briefly turn red before blinking green. The LED will be solid green when the connection is complete.
4. Add the device to the account by either selecting the account in the MobileTech app or by using a web browser and entering the following web address: [www.alarm.com/addcamera](http://www.alarm.com/addcamera) (you will need the customer user name and password).
5. Select the camera from the video device list or enter its MAC address to begin adding the camera. The MAC address is located on the camera or on the packaging.


Follow the on-screen instructions to finish adding the camera.








### Using WPS: ^

1. Once powered up, the camera's LED will begin to blink white. Press and hold the WPS/Reset button and release when the LED begins to blink blue (about 3 seconds).
2. Activate WPS mode on the router. The camera will begin to connect to the Wi-Fi network. The LED will be solid green when the connection is complete.
3. Add the device to the customer account by either selecting the account in the MobileTech app or by using a web browser and entering the following web address: [www.alarm.com/addcamera](http://www.alarm.com/addcamera) (you will need the customer user name and password).
4. Select the camera from the video device list or enter its MAC address to begin adding the camera. The MAC address is located on the camera or on the packaging.

Follow the on-screen instructions to finish adding the camera.

### LED reference guide

LED pattern	Description
Off 	Power off

LED pattern	Description
Solid green 	Connected to Alarm.com
Blinking green 	Local network connection
Blinking red and green 	Reverting to factory default settings
Blinking red 	Power on, camera booting
Solid red 	No local or Internet connection
Blinking blue 	WPS mode
Blinking white 	Wi-Fi Access Point mode

## Troubleshooting

1. If you have issues connecting the camera to the account, power cycle the camera and try again.
2. If issues persist, reset the camera to factory defaults. Press and hold the WPS/Reset button until the LED is flashing green and red (about 15 seconds), then release the button. The camera will reboot to factory default.

**Important** If the camera was previously installed on a different [Alarm.com](https://www.alarm.com) account, it will need to be deleted before it can be installed again.

## Notices

- Any changes or modifications not expressly approved by the party responsible for compliance could void the user's authority to operate this equipment. This device complies with part 15 of the FCC Rules. Operation is subject to the following two conditions:
  1. This device may not cause harmful interference, and
  2. This device must accept any interference received, including interference that may cause unwanted behaviors.
- Note: This equipment has been tested and found to comply with the limits for a Class B digital device, pursuant to part 15 of the FCC Rules. These limits are designed to provide reasonable protection against harmful interference in a residential installation. This equipment generates, uses and can radiate radio frequency energy and, if not installed and used in accordance with the instructions, may cause harmful interference to radio communications. However, there is no guarantee that interference will not occur in a particular installation. If this equipment does cause harmful interference to radio or television reception, which can be determined by turning the equipment off and on, the user is encouraged to try to correct the interference by one or more of the following measures:
  - Reorient or relocate the receiving antenna.
  - Increase the separation between the equipment and receiver.
  - Connect the equipment into an outlet on a circuit different from that to which the receiver is connected.
  - Consult the dealer or an experienced radio/TV technician for help.
- FCC ID: YL6-1438852R

## ICES

- *This Class B digital apparatus complies with Canadian ICES-003.*
- *This device contains licence-exempt transmitter(s)/receiver(s) that comply with Innovation, Science and Economic Development Canada's licence-exempt RSS(s). Operation is subject to the following two conditions:*
  - *This device may not cause interference.*
  - *This device must accept any interference, including interference that may cause undesired operation of the device.*
- This equipment complies with FCC and ISED radiation exposure limits set forth for an uncontrolled environment. This equipment should be installed and operated with a minimum distance of 20cm between the equipment and your body. This device and its antenna(s) must not be co-located or operating in conjunction with any other antenna or transmitter. Please contact [intsupport@alarm.com](mailto:intsupport@alarm.com) for more information on Canadian RF exposure compliance.
- Les appareils numériques de classe B sont conformes à la norme canadienne ICES-003.
- Cet appareil contient des émetteurs ou récepteurs exempts de licence qui sont conformes aux RSS exempts de licence du ministère de l'Innovation, des Sciences et du Développement économique Canada. Le fonctionnement de l'équipement dépend de deux conditions :

- a. Cet appareil ne doit pas provoquer d'interférence.
- b. Cet appareil doit accepter toute interférence, y compris celles qui pourraient provoquer un fonctionnement indésirable de l'appareil.
  - Cet appareil est conforme aux limites d'exposition aux radiofréquences établies par la FCC et l'ISED pour un environnement non contrôlé. Cet appareil doit être installé et utilisé à une distance minimale de 20 centimètres entre l'appareil et votre corps. Cet appareil et son ou ses antennes ne doivent pas être situés ou fonctionner en conjonction avec une autre antenne ou un autre émetteur. Veuillez communiquer avec [intsupport@alarm.com](mailto:intsupport@alarm.com) pour obtenir plus d'information sur la conformité aux exigences canadiennes en matière d'exposition aux radiofréquences.
  - IC: 9111A-1438852R